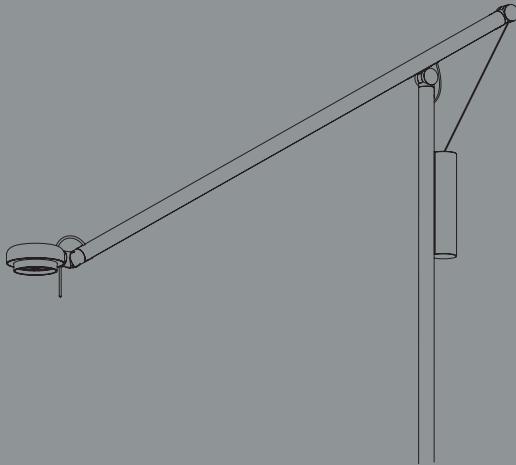


- INSTRUCTION MANUAL -

FIFTY-FIFTY COLLECTION



DESIGN BY SAM WELLER

HAY

- GENERAL INFORMATION -

TECHNICAL DATA

This product is supplied with an integrated LED light source. The expected lifespan of the LED light source is 25,000 hours, which equates to 8-10 years of general use. When the light source reaches its end of life, the whole luminaire should be replaced.

FITTING TYPE | Integrated LED

POWER (W) | 4W

COLOUR TEMPERATURE | 3000K warm white.

ATTENTION

Ensure that the power supply to the circuit has clearly been turned OFF before installing the product. In some countries, electrical installation must be carried out by authorised electricians/contractors; please check with your local authority for guidance.

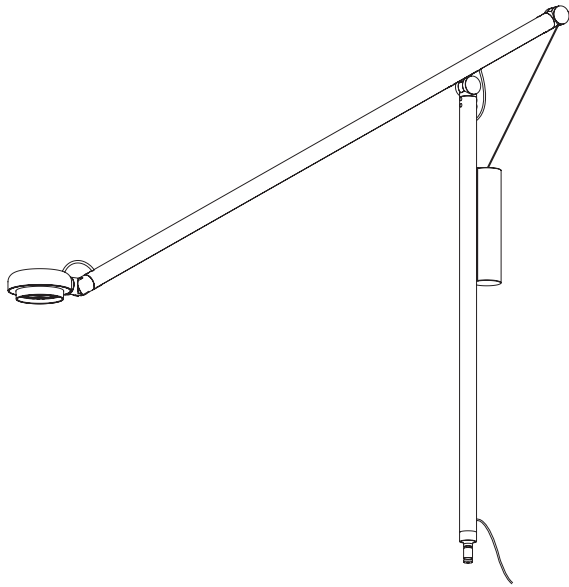
The product must not be modified in any way. HAY accepts no responsibility for any products that have been modified or tampered with. The external flexible cable or cord of this luminaire cannot be replaced. If the cord is damaged, the luminaire should be replaced. This lamp is designed for indoor use only.

CARE AND MAINTENANCE

The product can be cleaned with a soft damp cloth and mild detergent, or a dry microfibre cloth. Do not use alcohol or any other solvents to clean the product and avoid using abrasive or rough sponges. Ensure that the power supply has been turned OFF before cleaning the product.



- PARTS -



Lamp



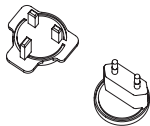
Screw



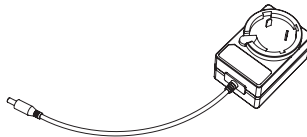
Allen key



Handle

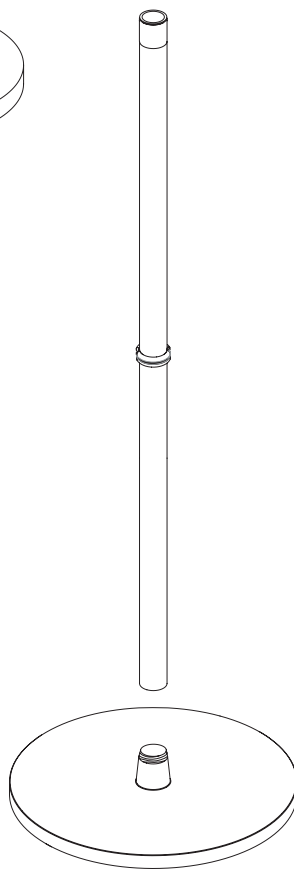
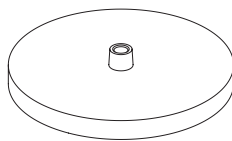
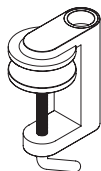


Adapter



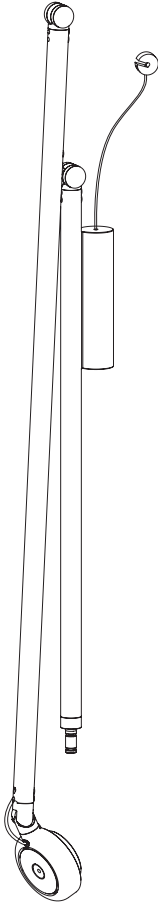
Power supply

The lamp can be used with several different bases and fixings.



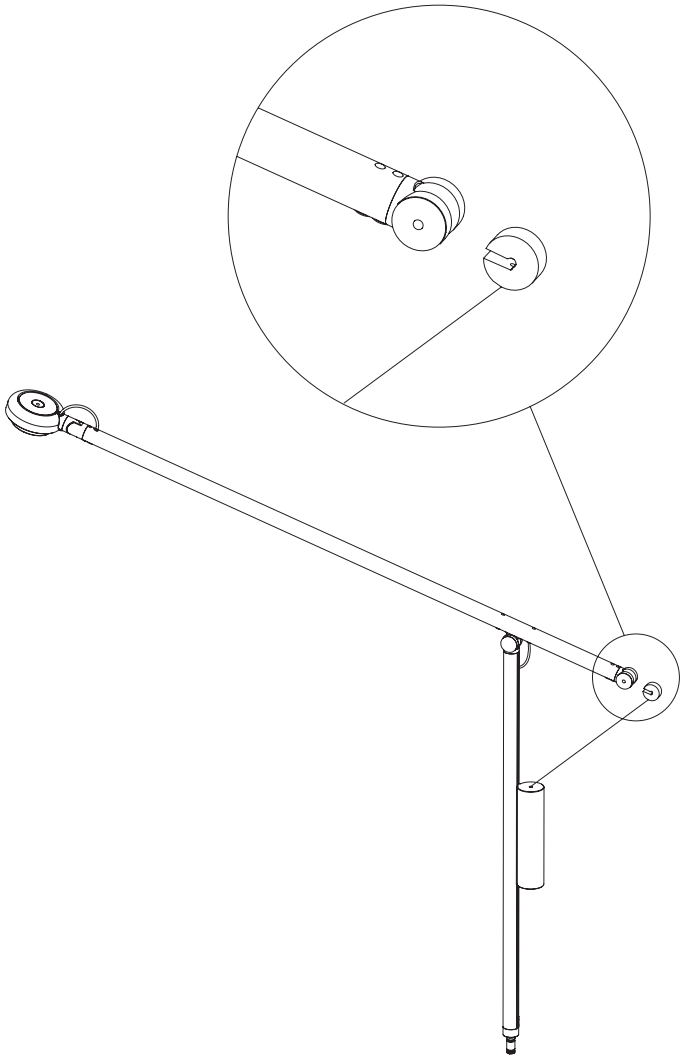
1.

Unpack all the parts and check that you have received all the parts listed. Unpack the lamp & base (packed separately).



2.

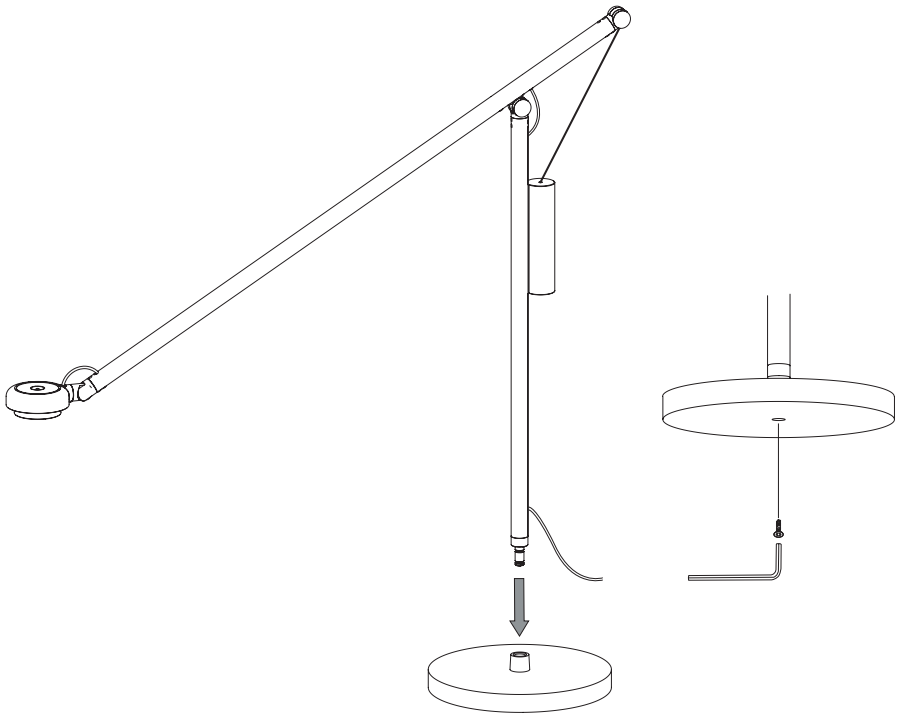
Carefully insert the wire retention clip into the arm lugs and ensure the wire retention clip is secure. It may be easier to do this with the lamp lying flat.



3.

TABLE LAMP ONLY

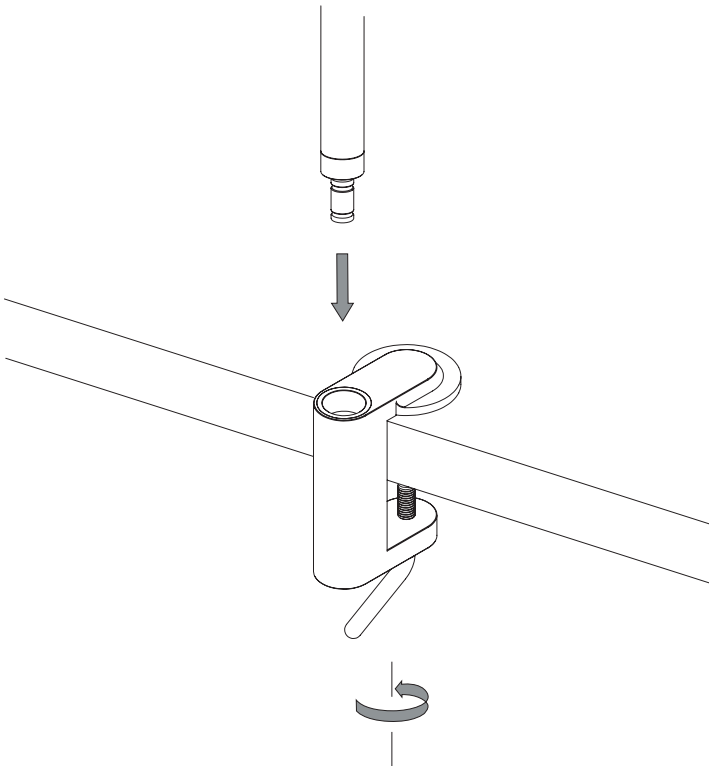
Insert the lamp body into the base. Using the provided tool and screw, the lamp can be fixed to the base through a hole underneath. Ensure this is not too tight so the lamp can still rotate freely.



4.

CLAMP ONLY

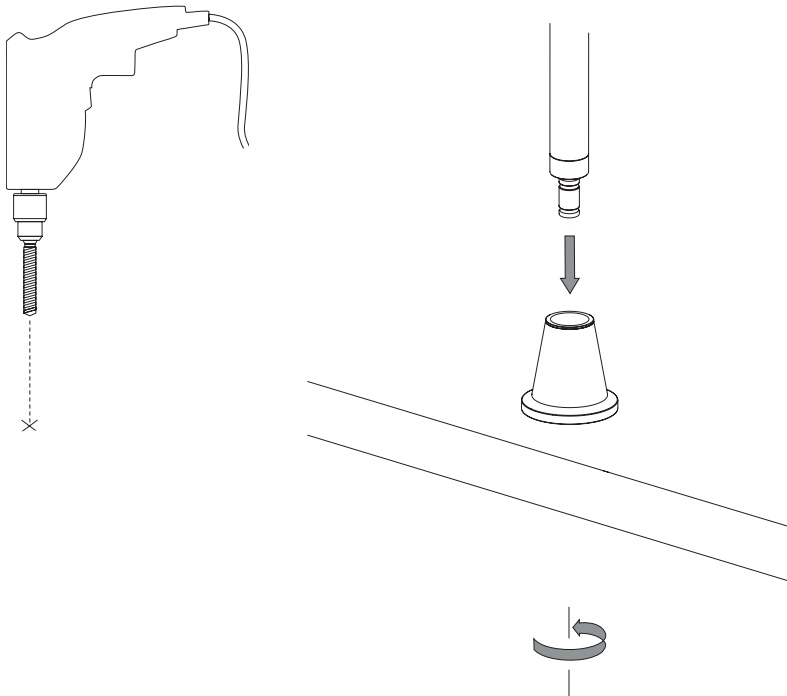
Clamp the clamp base in place by adjusting the grip. Insert the lamp body into the clamp base.



5.

TABLE INSERT ONLY

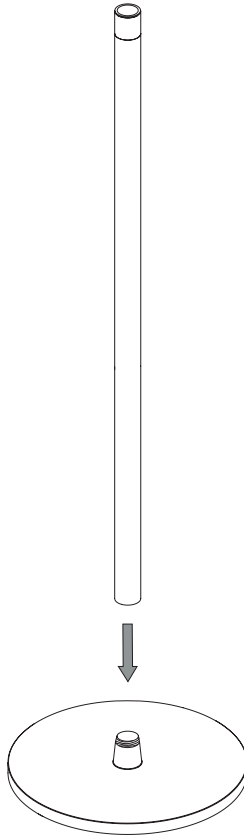
Carefully drill a 10 mm hole into a desktop where you would like the lamp to be positioned. Insert the table insert into the hole and tighten the circular nut underneath to hold firmly in place.



6.

FLOOR LAMP ONLY

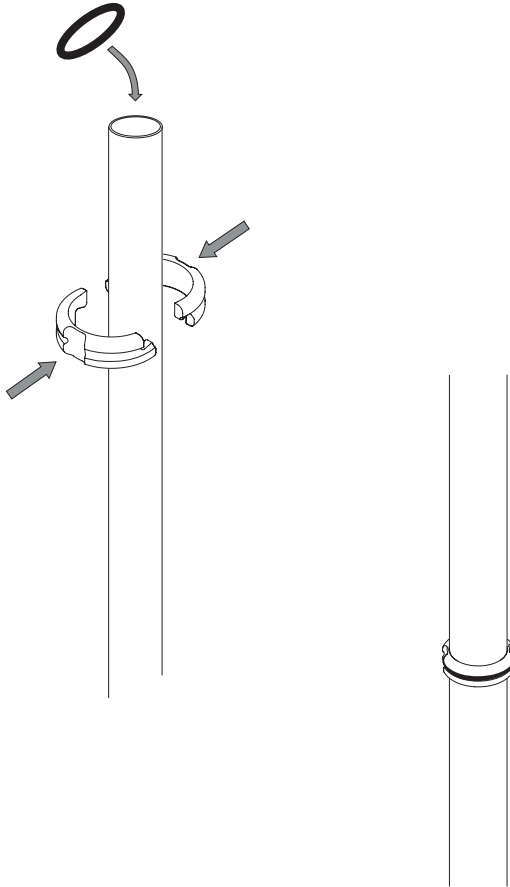
Screw the upright into the floor base.



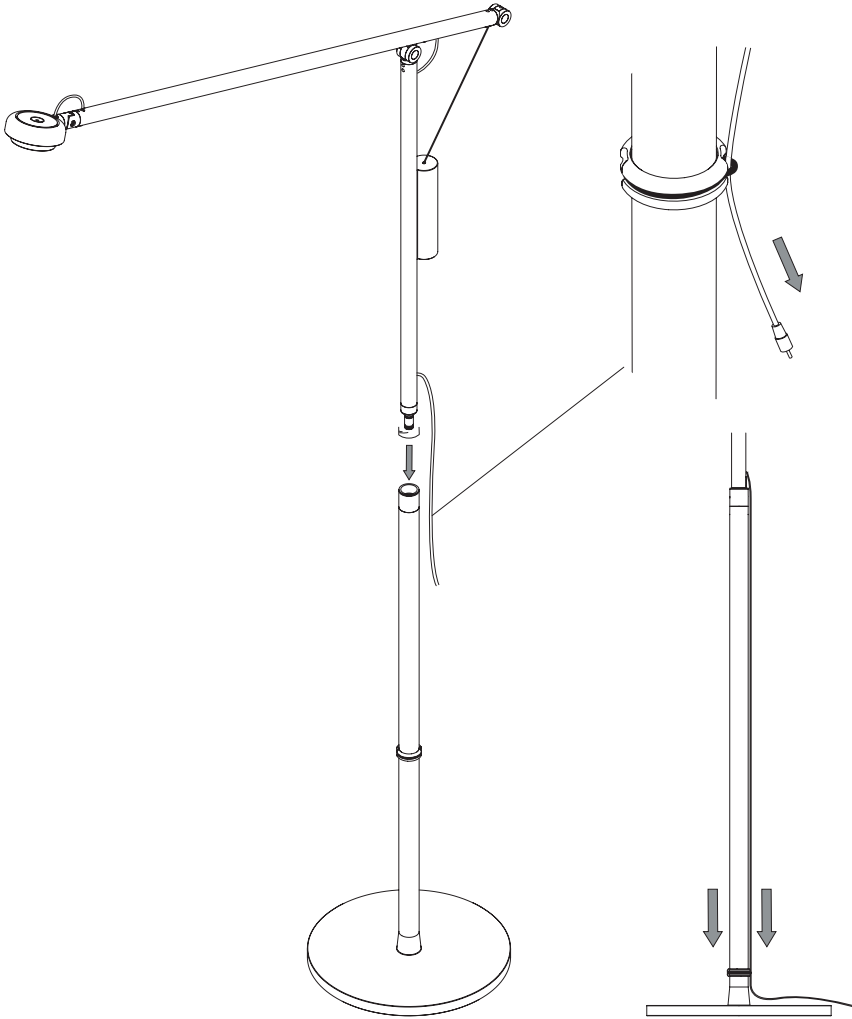
7.

FLOOR LAMP ONLY

Add the cable restraint to the upright.

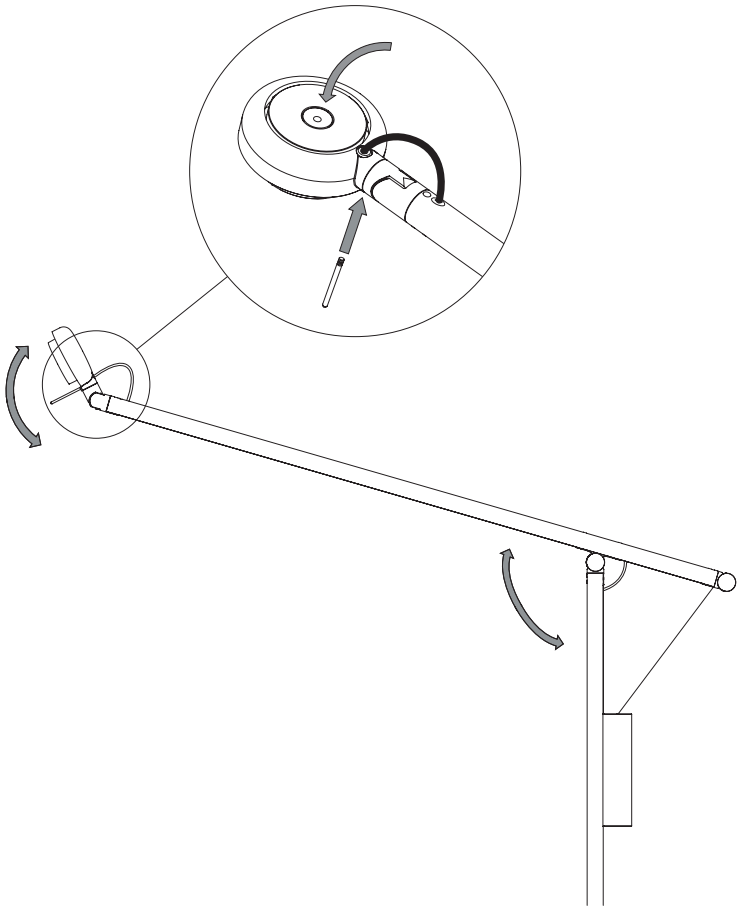


8.



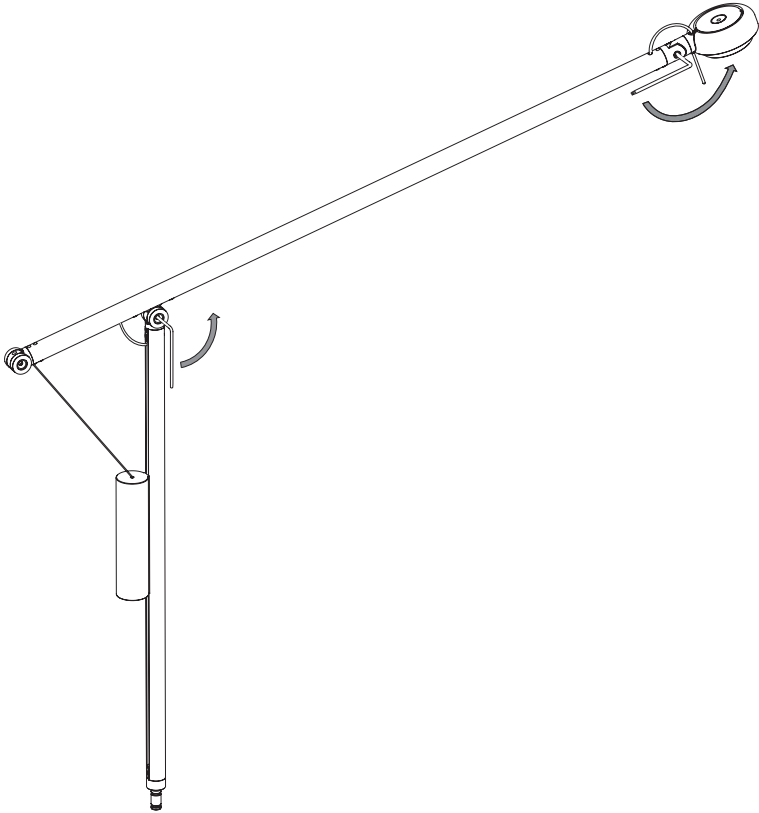
9.

Screw the handle into the head, ensuring it is tight before using it to adjust the lamp's position. The lamp can be freely moved and will hold in any position. A touch sensitive step dimming switch is located on the backside of the lamp's light source.



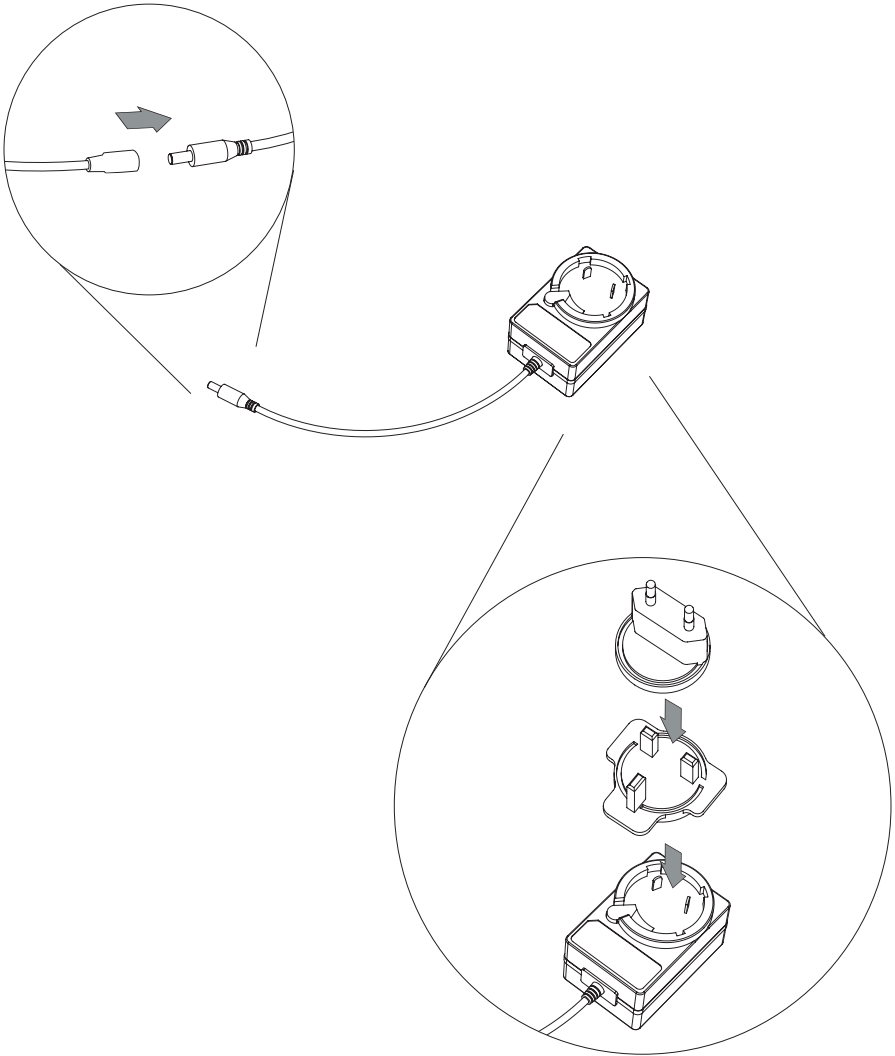
10.

If necessary, the joints can be adjusted using the provided tool. Carefully tighten the bolts until the lamp supports itself in any position.



11.

Plug the trailing cable into the power supply.
Attach the correct adapter for your region.
The lamp is now ready for use.



- CARE & MAINTENANCE -

Our Care & Maintenance offers guidance for optimal maintenance of your HAY product. It includes advice and instructions on cleaning and caring for specific materials to prolong the life of your lighting.



Please find our Care & Maintenance guide by scanning the QR code



You can find more relevant information on Fifty-Fifty Collection by scanning the QR code

You can also find the same information here
hay.dk/downloads

Havnen 1 8700 Horsens Denmark
+45 4282 0282 / hay@hay.com

www.hay.com

14/10/2021

HAY