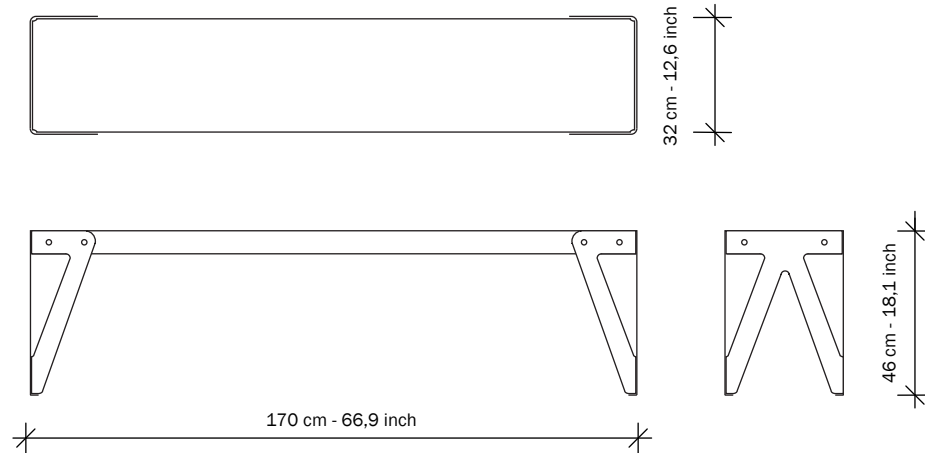


LLOYD Bench OUTDOOR

SERENER



SPECIFICATIONS

Top:
Magnelis steel, 2 mm thick,
powder coated.

Table leg:
Aluminum, 4 mm thick,
powder coated,
with plastic feet.

Bolts:
allen bolts, stainless steel.

Weight:
20,2 kg - 44,5 lb.

3D-FILES OR HR-IMAGES

Check: www.functionals.eu/downloads



Black



White



Dark grey



Parallel

FUNCTIONALS
by Ad&Simon

Functionals

Edisonstraat 5
NL-5051 DS Goirle
tel. +31 (0)13 530 03 89
info@functionals.eu
www.functionals.eu